



DZ41 DISPLAY USER MANUAL

converted®



LOVE YOUR CONVERTED BIKE?
SHOW US YOUR ADVENTURES



#Convertedbikes



FOLLOW THE CONVERTED
Find us on your favourite social media channels

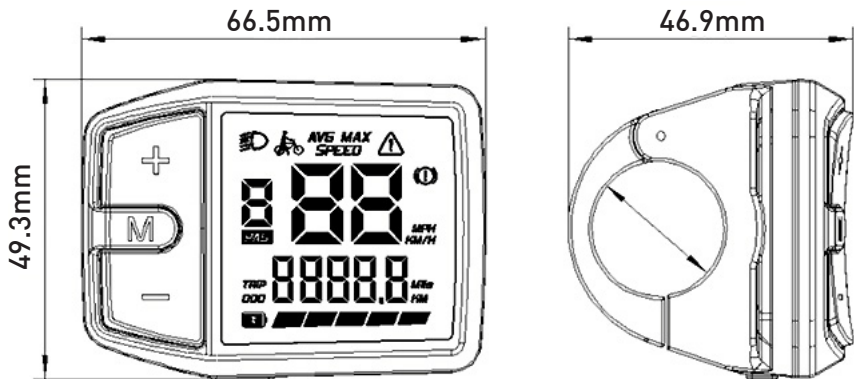
Tag your posts with #Convertedbikes

f @ t v

CONTENTS

DISPLAY OVERVIEW	4
MAIN USER SCREEN	6-8
-TURNING THE SYSTEM ON AND OFF	
-VIEWING THE MAIN USER INFORMATION	
-SETTING THE PEDAL ASSIST LEVEL	
-LIGHTS	
-WALK ALONG	
-BATTERY LEVEL INDICATOR	
ADJUSTING SETTINGS	9-10
-UNITS	
-AUTO OFF	
-WHEEL DIAMETER	
-ASSIST SPEED-LIMIT SETTING	
-LIGHT SENSOR	
DATA RESET	11
FAULTS	12
-TROUBLE SHOOTING	
-ERROR CODES	

DISPLAY OVERVIEW





LIGHTS ON/OFF

PEDAL ASSIST LEVEL
0 NO ASSIST - 5 MAX ASSIST

REALTIME INFO
RUNNING SPEED / AVERAGE
SPEED / MAX SPEED

TRIP / ODOMETER

BATTERY LEVEL

MAIN USER SCREEN

TURNING THE SYSTEM ON AND OFF

Ensure the switch on the battery is in the 'On' position.
Hold the Display Power button for 2 seconds then the display will power on.

With the display on, holding the Power button for 2 seconds will turn off the system.

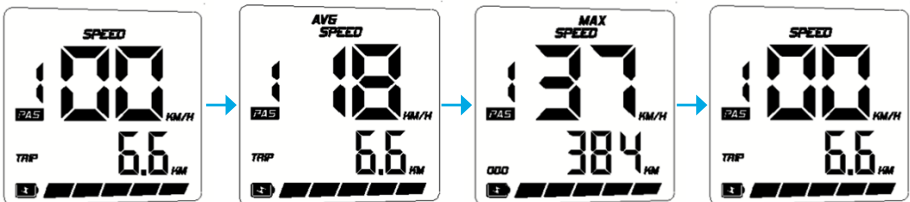
Additionally, you can shut the system down by turning the battery off.



VIEWING THE MAIN USER INFORMATION

After starting up the display the default main user screen is 'speed'.
Press Mode to change the indicated information in sequence as below:

Running Speed + Trip Distance → Average Speed + Trip Distance → Max Speed + Odometer Distance .



SETTING THE PEDAL ASSIST LEVEL

Adjusting the assist level sets the amount of motor power that assists your pedalling.

Press + (UP) or - (DOWN) to change the output power of the motor. The power ranges from level 0 to level 5. Level 0 deactivates the pedal assist system. Level 5 is the maximum power.



LIGHTS

Hold the + button for 2 seconds to turn on the **Converted** System riding lights and display back light. The light symbol will show when on.

Hold the + button for 2 seconds to turn the lights off.



Converted System lights can be purchased from www.convertedsystem.co.nz or dealers.

WALK ALONG

Hold the - button down to cause the bike to move along at walking speed.



BATTERY LEVEL INDICATOR

The 5 battery bars represent the capacity of the battery.



SETTINGS

Enter and adjust within the settings menu.

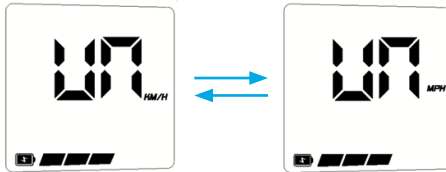
Turn the system on, within 10 Seconds press and hold Mode. The screen will switch to the 'setting' mode, starting at UN(units). Press Mode again to confirm the modification and go to the next setting.

2. Press and hold
Immediately
(before 10 seconds)



UNITS

In the 'UN' (unit) mode, use the + or - buttons to toggle between KM/H and MPH
Press Mode to confirm the modification and go to the next setting.



AUTO-OFF

In the 'OF' mode, use the + or - buttons to adjust the Auto-Off time (the time it takes to auto shut down when no input is provided). default is 5 Minutes, choose between 1, 2, 3, 5, 8 or 10 minutes.
Press Mode to confirm the modification and go to the next setting.



WHEEL DIAMETER SETTING

In the IN mode press + and - to select the correct value to match the wheel diameter. Selectable values include: 14, 16, 18, 20, 22, 24, 26, 27.5, 700C, 28, 29.

Press Mode to confirm the modification and go to the next setting.



ASSIST SPEED-LIMIT SETTING

When the running speed is faster than MAX SPEED, the controller will cut off the motor power. MAX SPEED default setting is 25Km/h. Press +/- to select the desired value. 99Km/h is unlimited.

Press Mode to confirm the modification and go to the next setting.



LIGHT SENSOR

It is possible to set the display backlight (and riding lights if fitted) to automatically turn on when its dark.

In 'LS' mode, toggle the light sensor On-Off



Hold down Mode for over 2 seconds to confirm and quit the setting mode.

DATA RESET

CLEARING TRIP METER, MAX AND AVERAGE SPEED

Turn the system on, AFTER 10 Seconds press and hold 'M'.

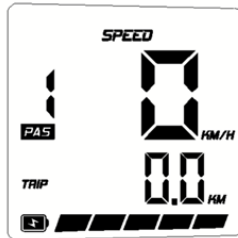
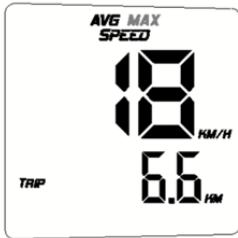
2. Press and hold after waiting 10 Seconds



The screen will switch to the 'data clear' mode, alternately showing Max/average speeds and the trip meter.

Press 'M' to clear data and exit to the main user mode.

After 5 seconds and no key press, the display will switch back to main user mode without clearing data.



FAULTS

TROUBLE SHOOTING

My bike won't go!

1. Ensure the battery is charged by pressing the battery level indicator button on the side of the battery.
2. Follow the cables on the bike and make sure no plugs have been pulled out.
3. Make sure that brake levers are in their 'out' position. Disconnecting the brake lever plug can help remove this as a potential issue.
4. Contact your [Converted](#) System dealer.

ERROR CODES

If the system detects an electrical issue, an error code will show up on the display. This can assist in determining the fault and will self clear after the fault has been fixed.



04 Throttle not returning

Check for obstruction or damage to throttle movement.

Replace throttle.

05 Throttle sensor problem

Replace throttle.

06 Low voltage protection

Flat battery or incorrect battery. Change battery. Check for battery connections for corrosion.

07 Over voltage protection

Incorrect battery. Use correct battery.

- 08 Motor sensor problem**
Contact service center.
- 09 Motor wire problem**
Contact service center.
- 11 Temperature sensor problem**
Contact service center.
- 12 Current sensor error**
Contact service center.
- 14 Motor Temperature error**
Contact service center.
- 21 Speed sensor problem**
Check speed sensor is close to magnet on wheel. LED on sensor should flash when magnet passes. If no flash, replace sensor.
- 30 Communication problem**
Check all plugs. Check cables for damage. Contact service center..



Contact us at
hello@converted.co.nz

Find your local dealer through our Converted website
[www\(converted.co.nz](http://www(converted.co.nz)